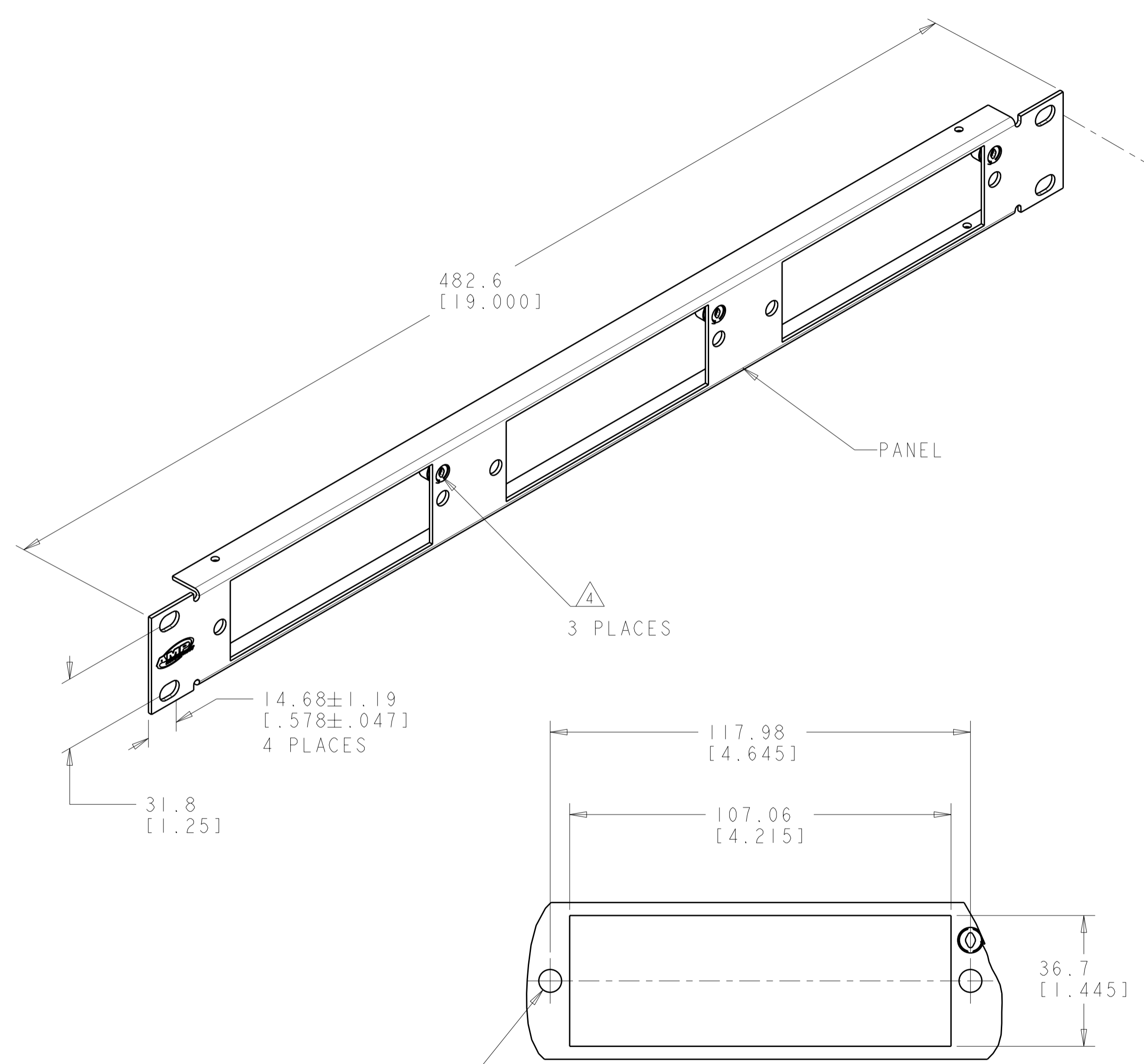


THIS DRAWING IS UNPUBLISHED. RELEASED FOR PUBLICATION 20
 © COPYRIGHT 20 BY TYCO ELECTRONICS CORPORATION. ALL RIGHTS RESERVED.

LOC	DIST	REVISIONS			
P	LTR	DESCRIPTION	DATE	DWN	APVD
		A	RLSD; NPR NSD03-023	14APR03	GG PP
		B	REV; ECO-07-022801	18OCT2007	GG SH
		C	REV; ECO-09-013109	03JUN2009	GG DC



- 1 MATERIAL: PANEL - 16 AWG CARBON STEEL, BLACK. SCREWS - STAINLESS STEEL, BLACK.
- 2 DIMENSIONS ARE NOMINAL UNLESS NOTED OTHERWISE.
- 3 STARWASHERS PROVIDED LOOSE.
- 4 QUARTER TURN FASTENER, SHIELDED APPLICATION ONLY, 3 PLACES.

10-32 X 12.7 [.500] SCREWS, BAG OF 4
 12-24 X 12.7 [.500] SCREWS, BAG OF 4

1479451-1
 PART NUMBER

SUGGESTED MOUNTING
 SCALE 1:1

<small>THIS DRAWING IS A CONTROLLED DOCUMENT FOR TYCO ELECTRONICS CORPORATION. IT IS SUBJECT TO CHANGE AND THE CONTROLLING ENGINEERING ORGANIZATION SHOULD BE CONTACTED FOR THE LATEST REVISION.</small>		DWN G. GARRETT 14APR03 CHK P. PEPE 14APR03 APVD P. PEPE 14APR03	Tyco Electronics Tyco Electronics Harrisburg, PA 17105-3608
DIMENSIONS: MM [INCHES] 	TOLERANCES UNLESS OTHERWISE SPECIFIED: 0 PLC ± 1 PLC ± 2 PLC ± 3 PLC ± 4 PLC ± ANGLES ± FINISH	PRODUCT SPEC APPLICATION SPEC WEIGHT	NAME PATCH PANEL, 1U, 3-CASSETTE, MINI-RJ21 SIZE A2 CAGE CODE 00779 C=1479451 DRAWING NO. 1479451 RESTRICTED TO
MATERIAL 	FINISH	CUSTOMER DRAWING	SCALE 1:3 SHEET 1 OF 1 REV C