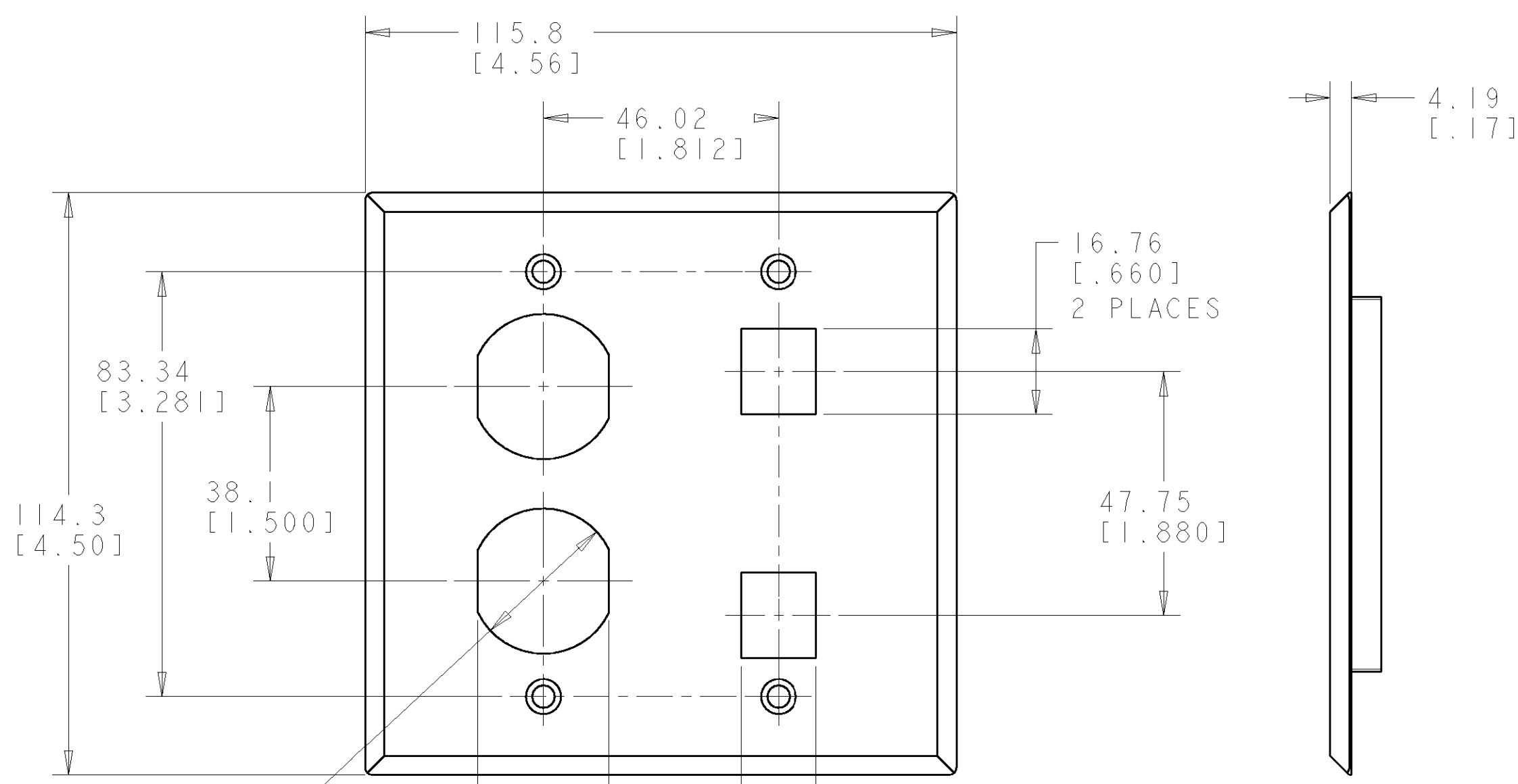
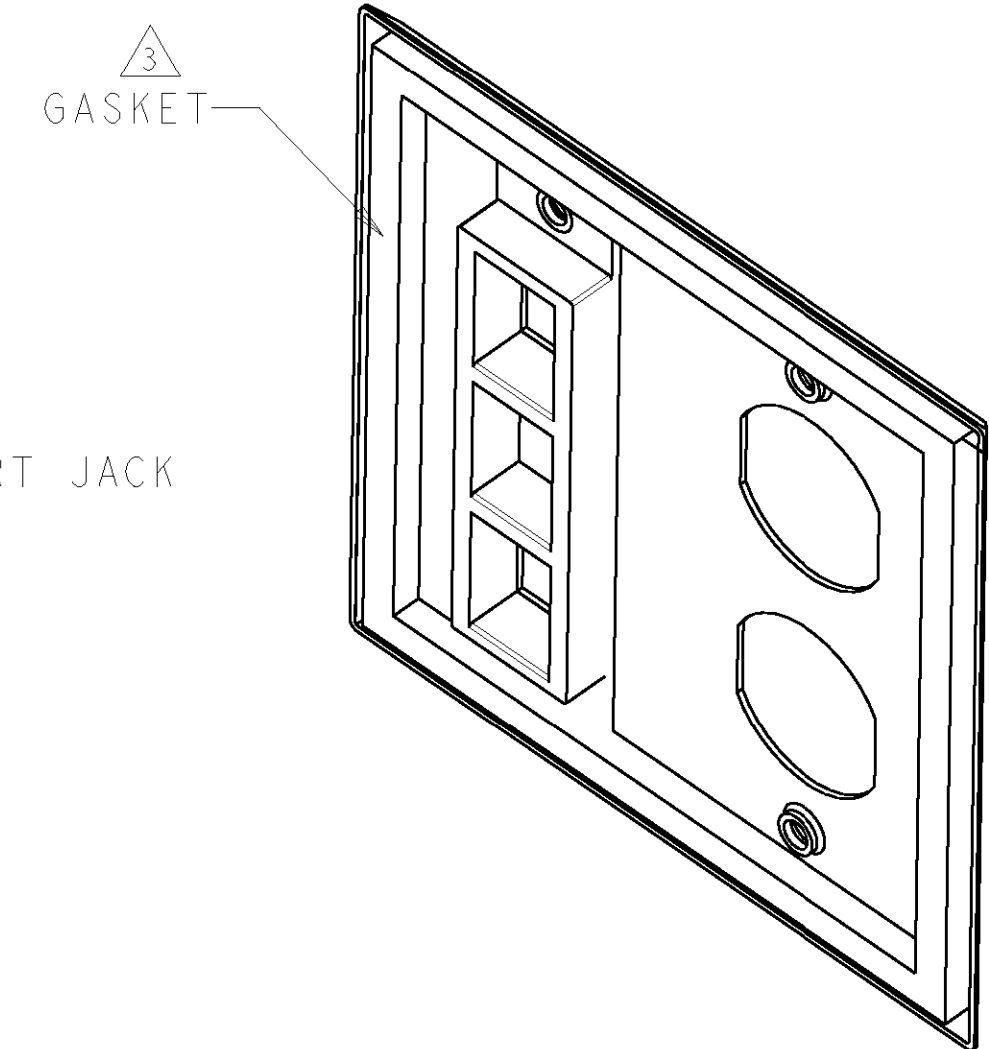
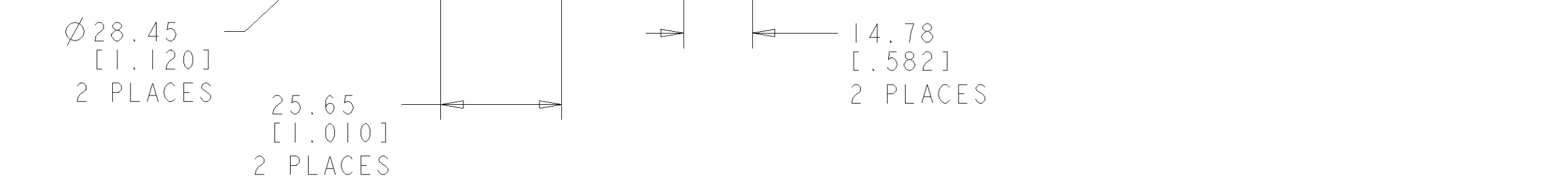


THIS DRAWING IS UNPUBLISHED. RELEASED FOR PUBLICATION 20
 © COPYRIGHT 20 BY TYCO ELECTRONICS CORPORATION. ALL RIGHTS RESERVED.

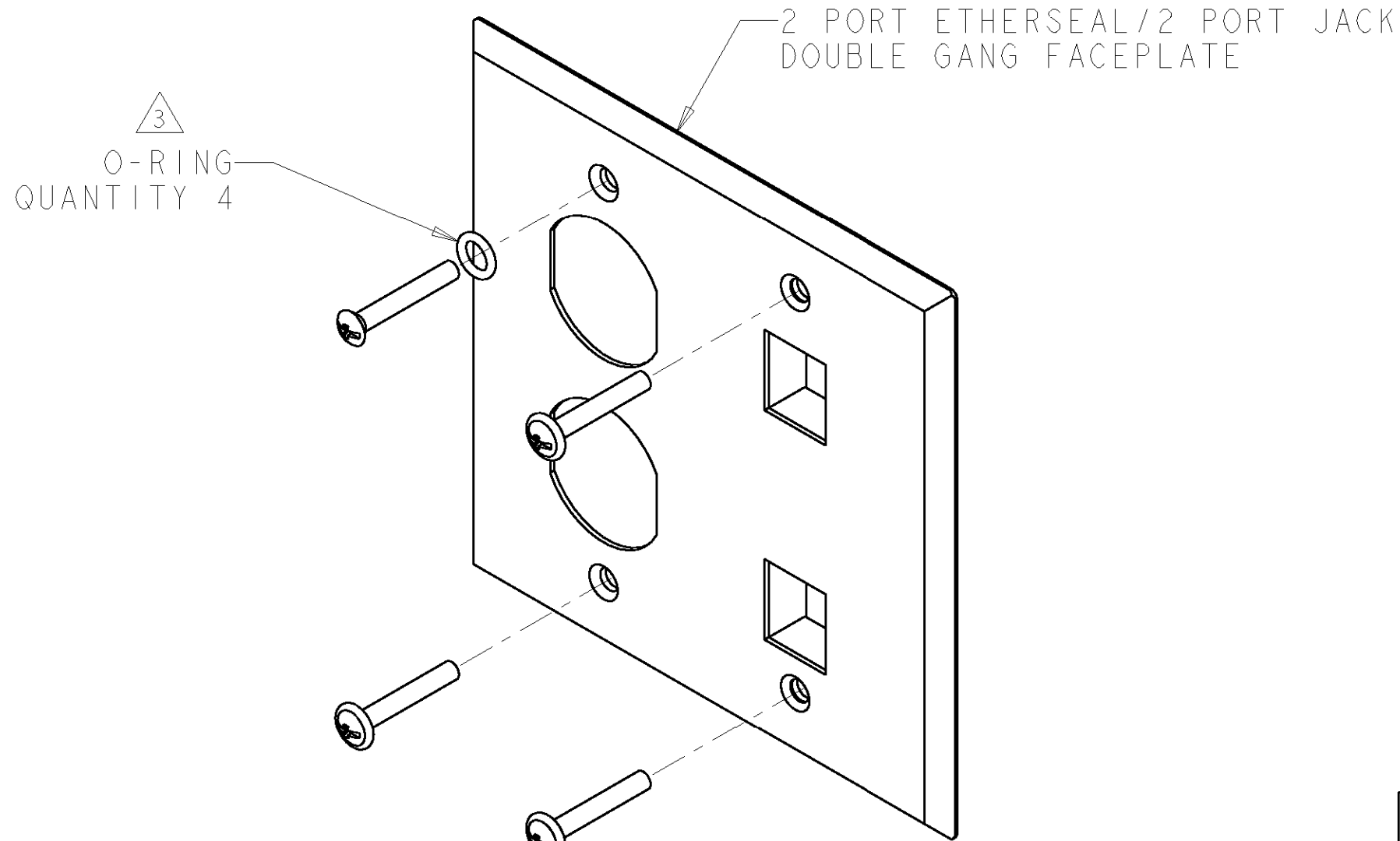
LOC	DIST	REVISIONS					
HM	00	P	LTR	DESCRIPTION	DATE	DWN	APVD
		A		RLSD; NPR NSD03-079	04NOV03	GG	GB
		B		REV; EC 0B40-0317-03	19DEC03	GG	GB
		C		REV - EC 0B40-0086-04	21APR2004	LS	GB



- 1 MATERIAL: FACEPLATE - 20 GA. (1.00 [.040] THICK) STAINLESS STEEL.
SCREWS - STAINLESS STEEL.
GASKET - NEOPRENE
O-RING - NITRILE (BUNA N)
- 2. ALL DIMENSIONS SHOWN ARE NOMINAL UNLESS OTHERWISE SPECIFIED.
- 3 1479596-2 SHIPPED WITH O-RINGS INSTALLED ON SCREWS AND GASKET ATTACHED TO STAINLESS STEEL FACEPLATE.



REAR VIEW WITH GASKET ATTACHED 1479596-2 ONLY



FRONT VIEW

WITH GASKET AND O-RING	1479596-2
WITHOUT GASKET AND O-RING	1479596-1
DESCRIPTION	PART NUMBER

THIS DRAWING IS A CONTROLLED DOCUMENT FOR TYCO ELECTRONICS CORPORATION IT IS SUBJECT TO CHANGE AND THE CONTROLLING ENGINEERING ORGANIZATION SHOULD BE CONTACTED FOR THE LATEST REVISION.		DWN G. GARRETT 04NOV03	Tyco Electronics Harrisburg, PA 17105-3608
DIMENSIONS: MM [INCHES]		CHK G. BOWMAN 04NOV03	
TOLERANCES UNLESS OTHERWISE SPECIFIED:		APVD G. BOWMAN 04NOV03	
0 PLC ± 1 PLC ± 2 PLC ± 3 PLC ± 4 PLC ± ANGLES ± FINISH		NAME KIT, FACEPLATE, STAINLESS STEEL, 2 PORT ETHERSEAL/2 PORT JACK, DOUBLE GANG	
MATERIAL		PRODUCT SPEC -	SIZE A2
		APPLICATION SPEC -	CAGE CODE 00779
		WEIGHT -	DRAWING NO. 1479596
CUSTOMER DRAWING		RESTRICTED TO -	
		SCALE 1:1	SHEET 1 OF 1 REV C