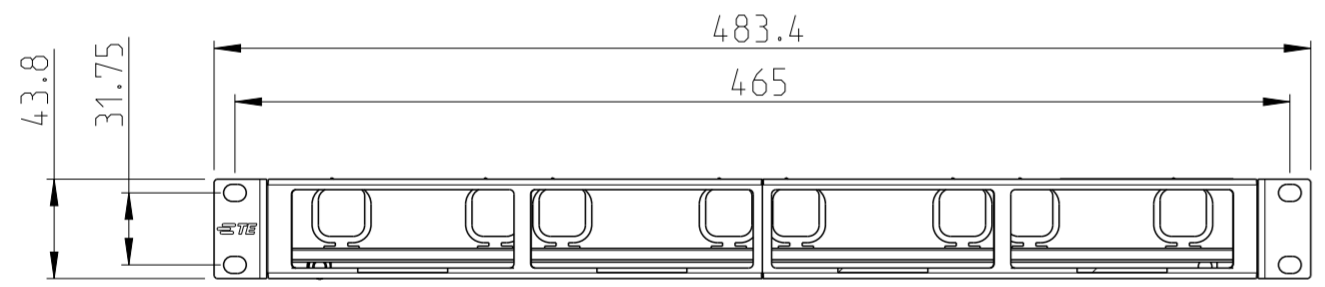
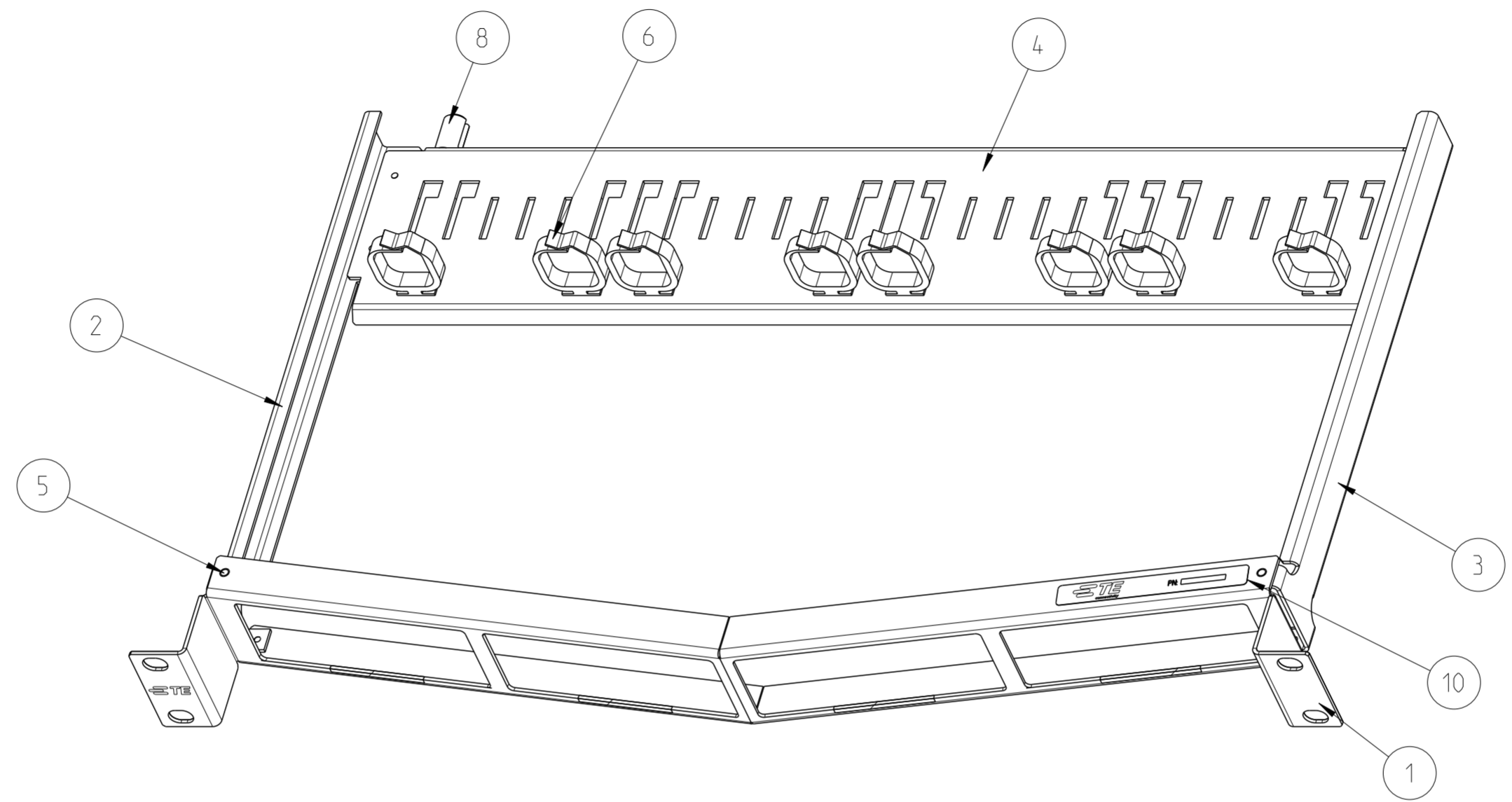
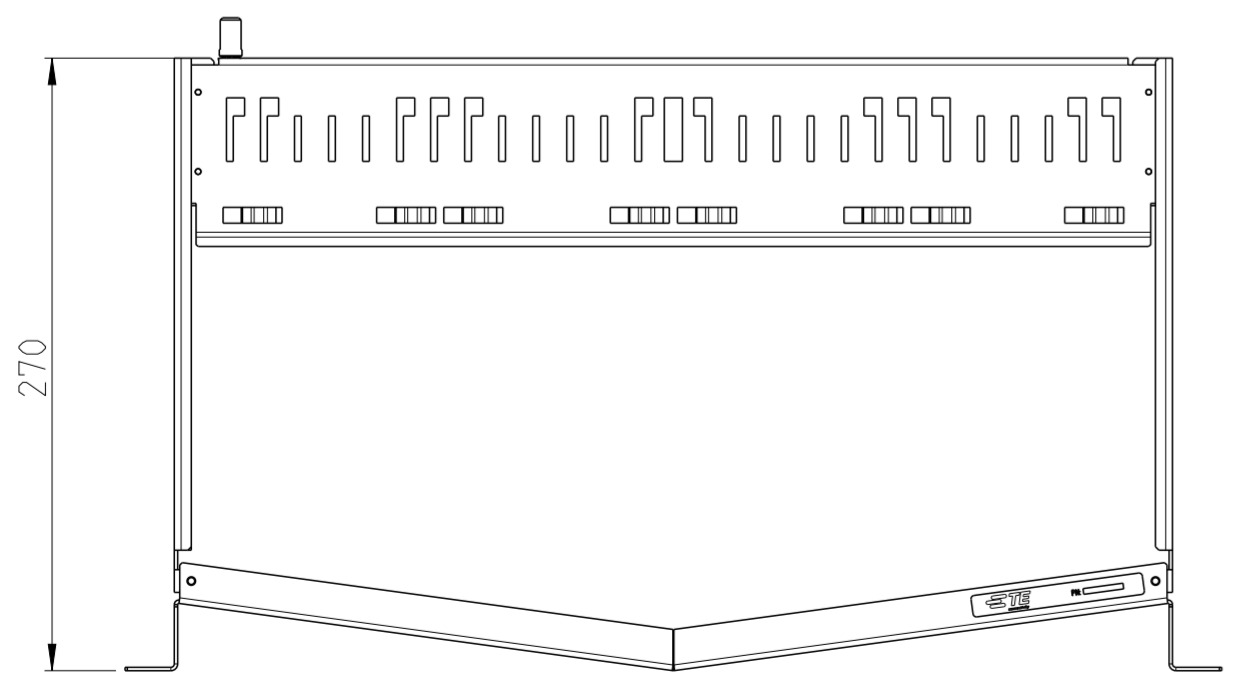


THIS DRAWING IS UNPUBLISHED. RELEASED FOR PUBLICATION 20
 © COPYRIGHT 20 ALL RIGHTS RESERVED.

LOC	DIST	REVISIONS			
P	LTR	DESCRIPTION	DATE	DWN	APVD
IV	00	B3	PN's added	14NOV2013	HB DT
		B4	PN's added	14JAN2014	HB DT



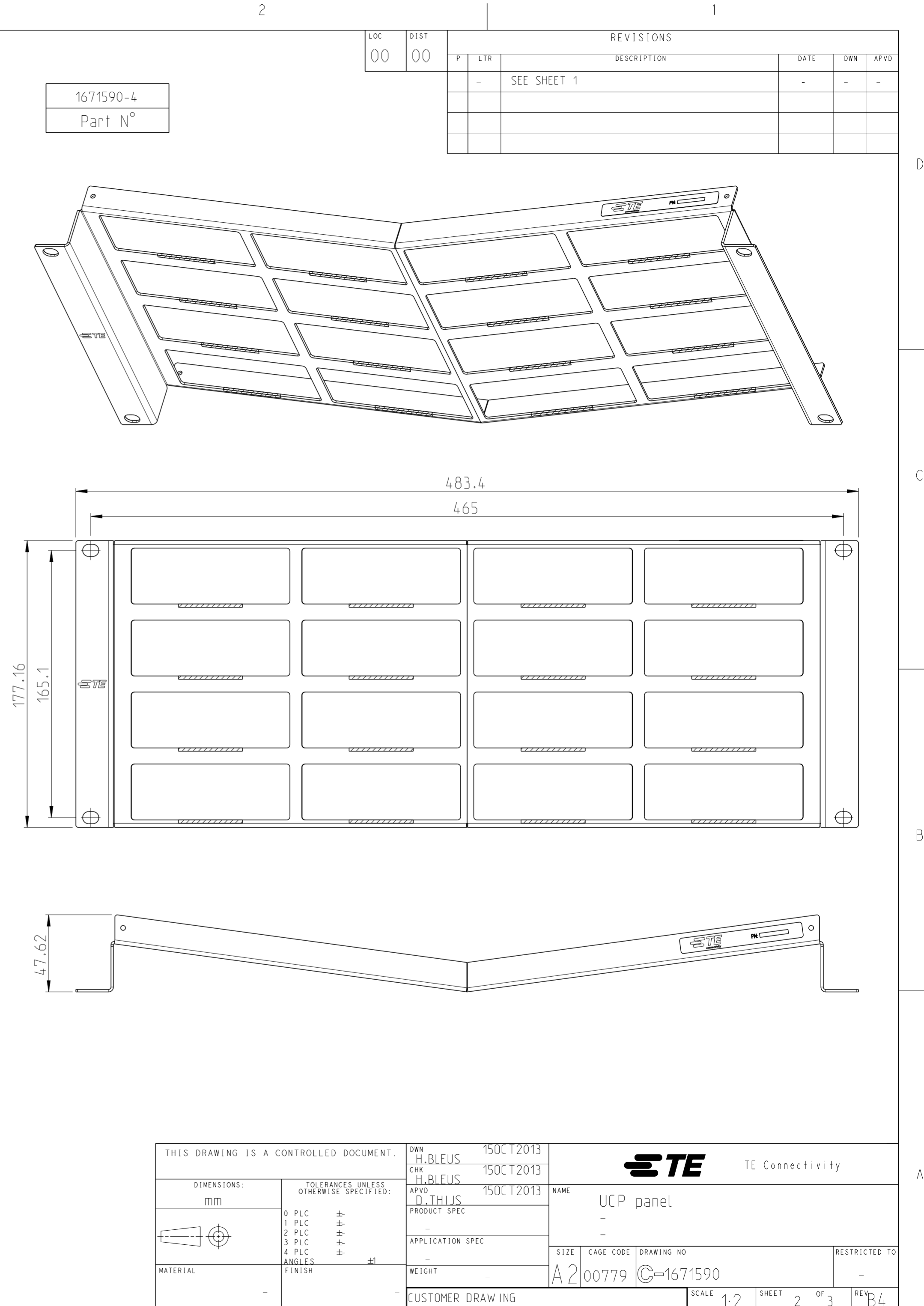
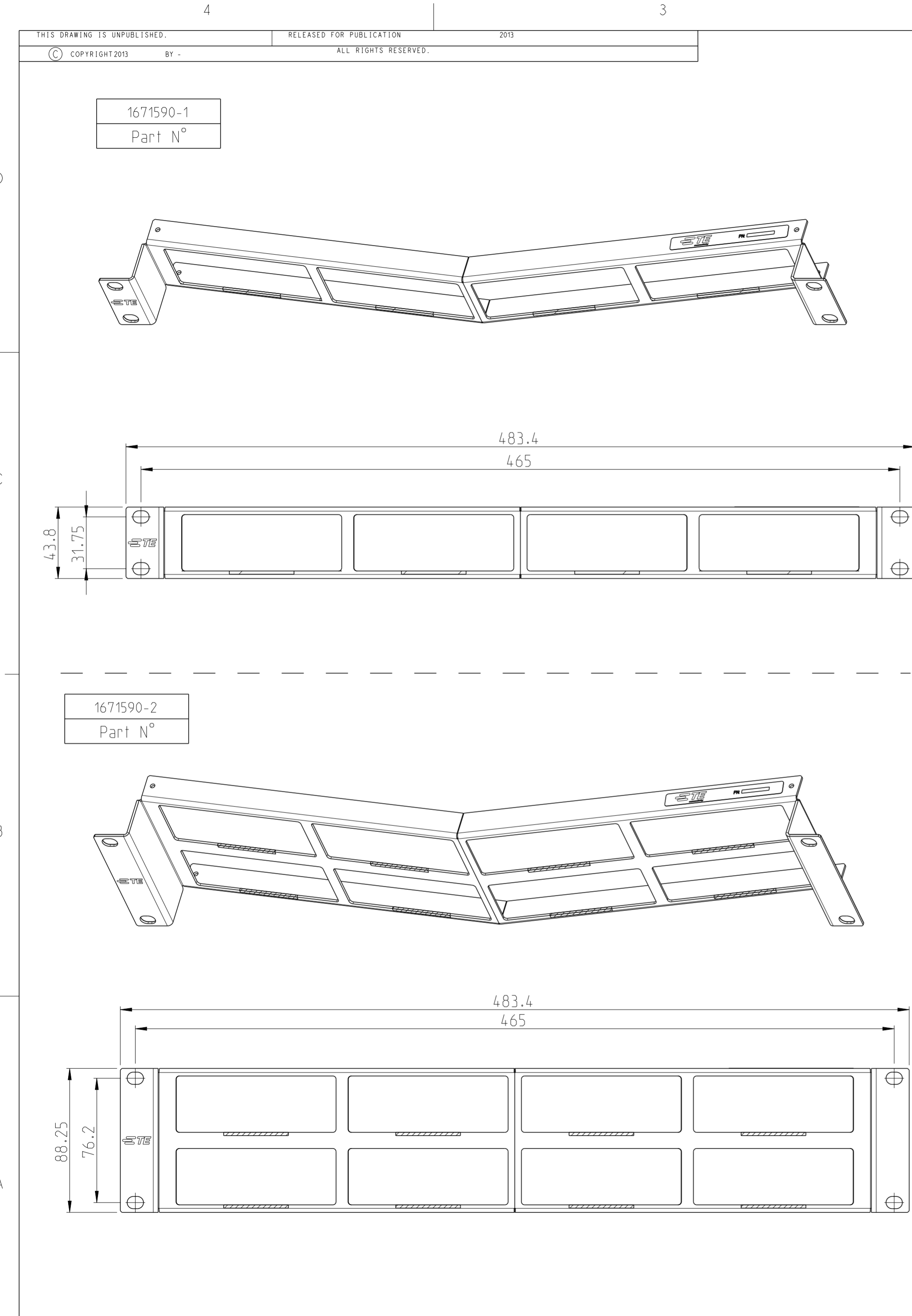
Item 6, 7, 8, 13 and 14 packed in small polybag.



QTY	DESCRIPTION	ITEM
1	Screws 10-32 (UNC)	14
1	Screws 12-24 (UNC)	13
-	UCP - 4U angled frontplate	12
1	UCP - 2U angled frontplate	11
1	Label	10
-	Instruction sheet	9
-	Grounding screw	8
-	Mushroom and knit loop fastener	7
-	OFN saddle	6
-	Spot Fast Fastener SF-3-1.6-ZI	5
-	UCP - cable support bar	4
-	UCP - side bracket right	3
-	UCP - side bracket left	2
-	UCP - angled frontplate	1

THIS DRAWING IS A CONTROLLED DOCUMENT.

DWN H.BLEUS 15OCT2013	 TE Connectivity	NAME	UCP panel			
CHK H.BLEUS 15OCT2013		SIZE	A2	CAGE CODE	00779	
APVD D.THUIS 15OCT2013		DRAWING NO	C-1671590		RESTRICTED TO	-
PRODUCT SPEC		SCALE	1:2	SHEET	1 OF 3	REV B4
APPLICATION SPEC	CUSTOMER DRAWING					
FINISH	MATERIAL					



THIS DRAWING IS UNPUBLISHED. RELEASED FOR PUBLICATION 2013
 © COPYRIGHT 2013 BY - ALL RIGHTS RESERVED.

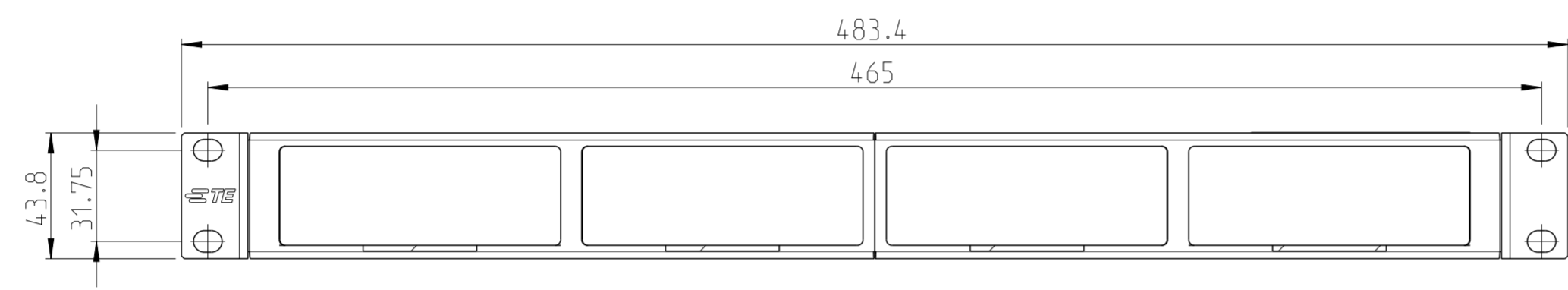
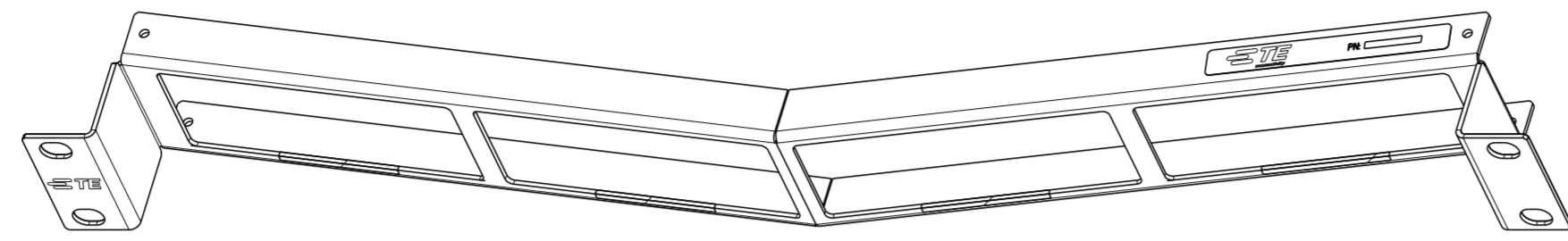
LOC	DIST	REVISIONS			
P	LTR	DESCRIPTION	DATE	DWN	APVD
00	00	-	SEE SHEET 1	-	-

THIS DRAWING IS A CONTROLLED DOCUMENT.		DWN H.BLEUS 15OCT2013	STE TE Connectivity	
DIMENSIONS: mm		CHK H.BLEUS 15OCT2013		
TOLERANCES UNLESS OTHERWISE SPECIFIED:		APVD D.THIJS 15OCT2013	NAME UCP panel	
0 PLC ±		PRODUCT SPEC	-	
1 PLC ±		APPLICATION SPEC	-	
2 PLC ±		WEIGHT	-	
3 PLC ±		SIZE	A2	CAGE CODE
4 PLC ±		DRAWING NO	C-1671590	
ANGLES ±1		RESTRICTED TO	-	
FINISH		SCALE	1:2	SHEET 2 OF 3
MATERIAL		CUSTOMER DRAWING	REV B4	

THIS DRAWING IS UNPUBLISHED. RELEASED FOR PUBLICATION 2013
 © COPYRIGHT 2013 BY - ALL RIGHTS RESERVED.

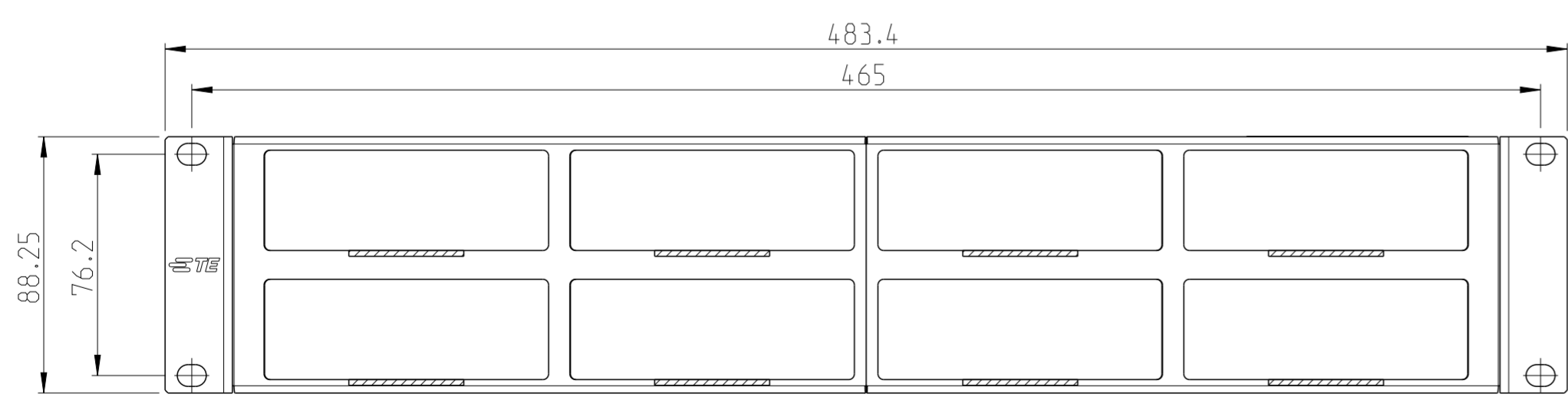
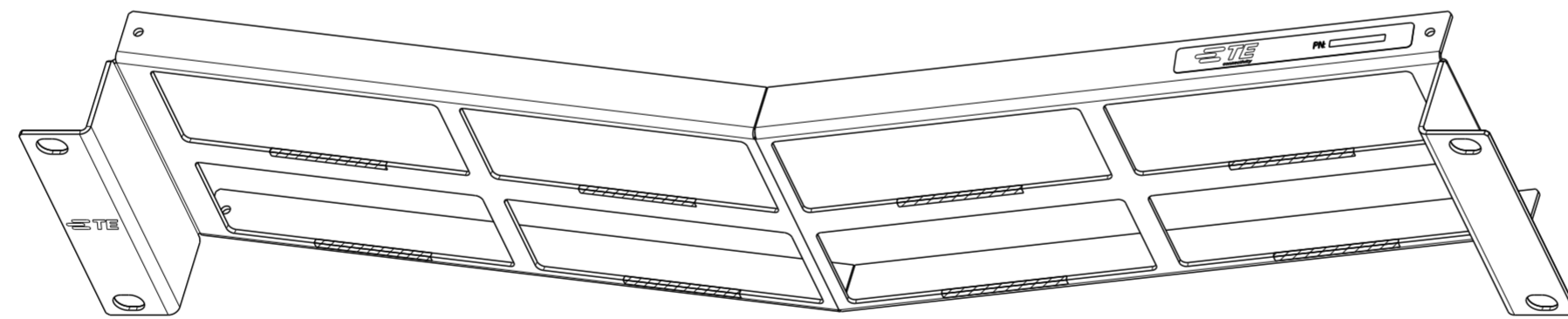
LOC	DIST	REVISIONS					
		P	LTR	DESCRIPTION	DATE	DWN	APVD
00	00	-		SEE SHEET 1	-	-	-

1671590-5
Part N°




REMARK:
12-24 screws (UNC)
10-32 screws (UNC)
 included with this part number.

1671590-6
Part N°



REMARK:
12-24 screws (UNC)
10-32 screws (UNC)
 included with this part number.

THIS DRAWING IS A CONTROLLED DOCUMENT.		DWN H.BLEUS 15OCT2013	 TE Connectivity	
DIMENSIONS: mm		CHK H.BLEUS 15OCT2013		
TOLERANCES UNLESS OTHERWISE SPECIFIED:		APVD D.THIJS 15OCT2013	NAME UCP panel	
0 PLC ±		PRODUCT SPEC	-	
1 PLC ±		APPLICATION SPEC	-	
2 PLC ±		WEIGHT	-	
3 PLC ±		SIZE	A2	CAGE CODE
4 PLC ±		DRAWING NO	C-1671590	
ANGLES ±1		RESTRICTED TO	-	
FINISH		SCALE	1:2	SHEET 3 OF 3
MATERIAL		CUSTOMER DRAWING	REV B4	